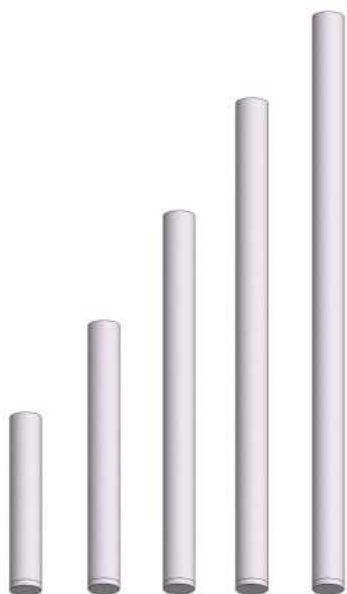
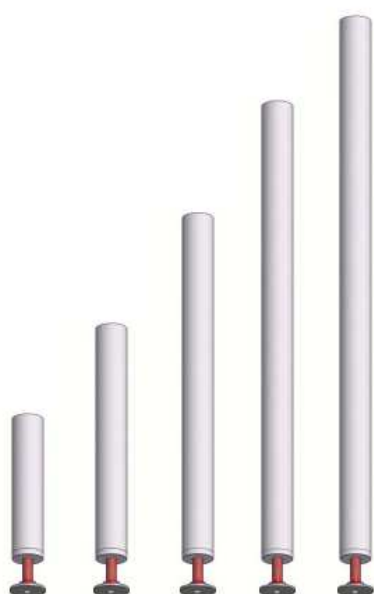


ALUR – nohy, schody, zábradlí



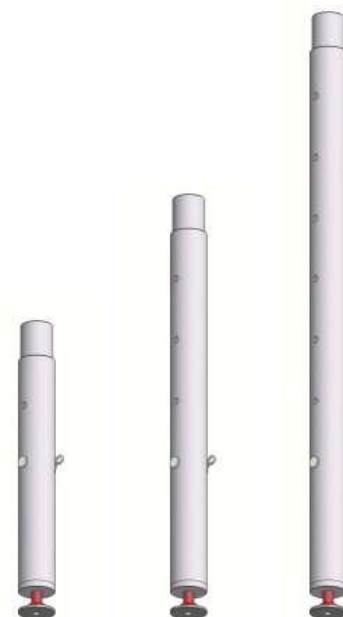
Standard leg for S3

plain aluminium tube in height from 200-1000 mm



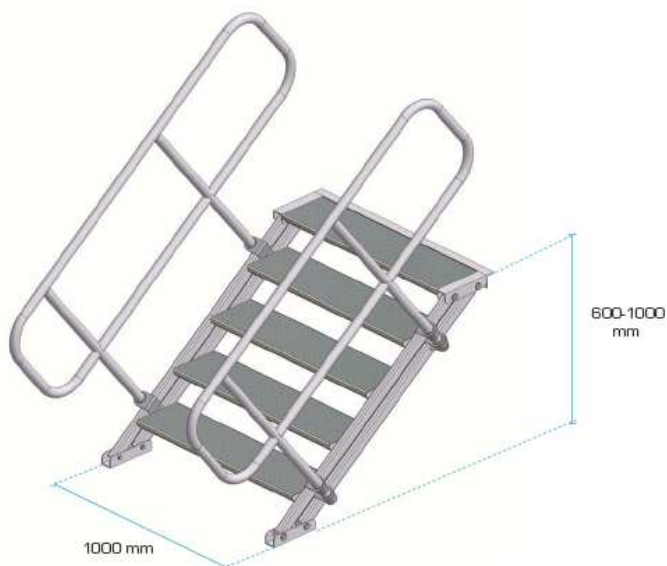
Adjustable leg for S3

aluminium tube in height from 200-1000 mm with adjustable feet



Telescopic leg for S3

telescopic leg 500-700 mm
telescopic leg 700-1000 mm
telescopic leg 1000-1500 mm



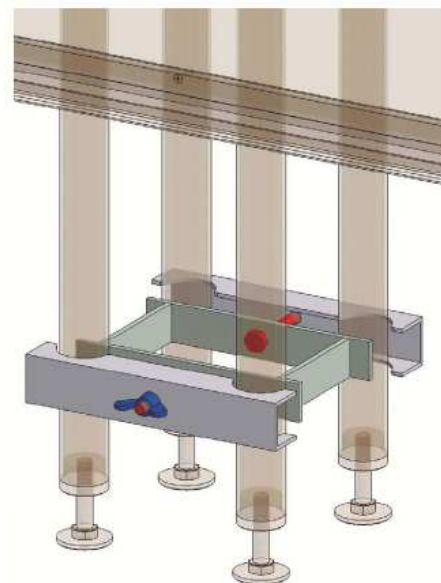
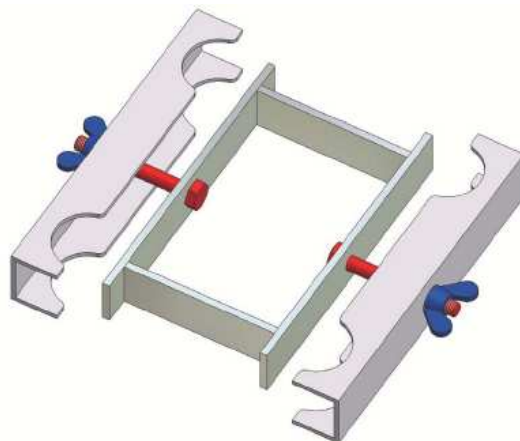
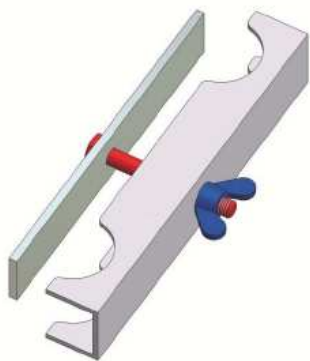
Adjustable stairs

stairs which can work
from 600 mm - 1000 mm



Adjustable stairs

adjustability in action

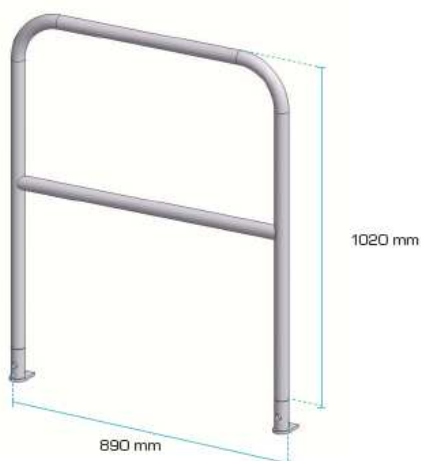


Connector for legs/2

quick 2 leg clamping connector made from aluminium and steel

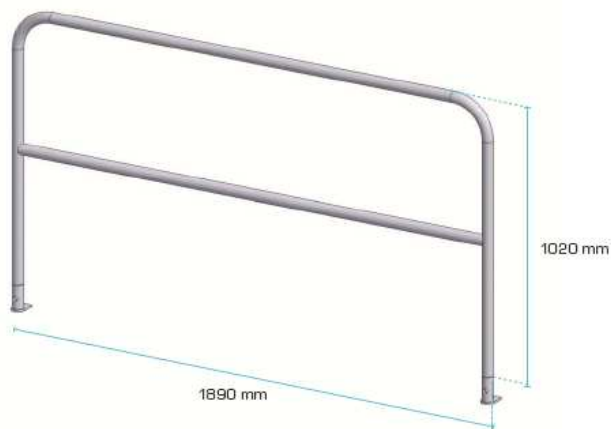
Connector for legs/4

quick 4 leg clamping connector made from aluminium and steel



Guard rail 1 m

made from aluminium tube 40 mm anodized or powder coated



Guard rail 2 m

made from aluminium tube 40 mm anodized or powder coated



Guard rail

fixing of guard rail to the xStage frame



Transport cart