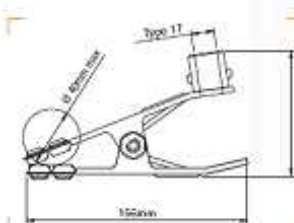
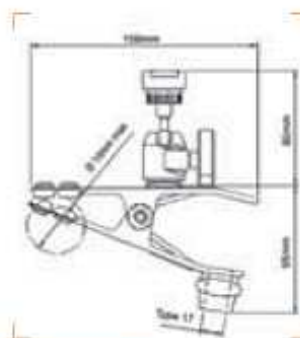


Wide choice of spring clamps and grips covers a huge range of applications. Constructed of aluminium or sheet steel, the clamps have thousands of uses, from supporting lights to clamping backgrounds to crossbars.



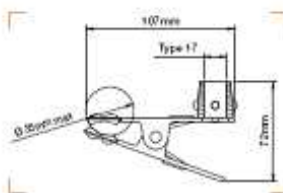
SPRING CLAMP 175

Clamps onto bars up to \varnothing 40mm.



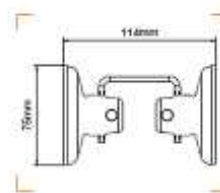
SPRING CLAMP WITH FLASH SHOE 175F

Clamps onto bars up to \varnothing 40mm. Supplied with a position able miniature ball head with a flash shoe attachment to allow it to clip and position a flash unit wherever it is needed.



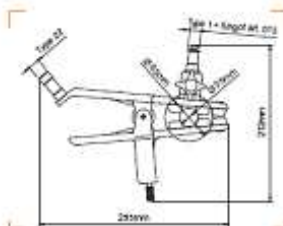
MINI SPRING CLAMP 275

Clamps onto bars up to \varnothing 35mm. It can be mounted also on 16mm extension arms.



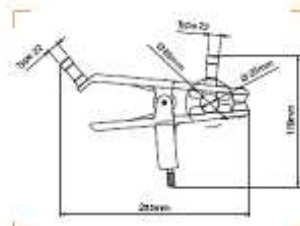
MULTICLIP 375

This versatile double clip can be used to hold gels in front of lights or small reflecting panels.



SKY HOOK 043

Gaffer grip with adjustable jaws. Grip from: 25mm to 65mm.



SKY HOOK C1525

Gaffer grip with adjustable jaws. Grip from: 25mm to 65mm.



Quite simply the most versatile single piece of light grip gear ever. You name it and Super Clamp grips it, you imagine where you want it and Super Clamp holds it there. Friction-lined screw-operated jaws grip everything from 13mm to 55mm. Hexagonal socket with unique secondary safety lock system holds items in place even if the screw lock comes undone. Supplied with a wedge to square off the jaws for mounting to flat surfaces. This masterpiece of practicality and solidity is the most widely copied clamp in the world!



SUPER CLAMP 035

Ideal clamp for photographic application. Ergonomic lever to securely lock clamping position.



0.41kg



15kg



QUICK ACTION SUPER CLAMP 635

The rapid action locking jaw has also been applied to the most well known clamp in the world, the original Super Clamp. These modifications allow us to keep its extreme versatility adding unrivaled speed in locking and unlocking. Supplied with wedge to allow the clamp to fit on flat surface.



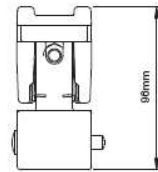
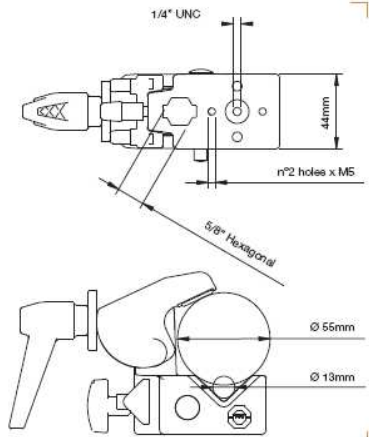
0.47kg



15kg



16mm hexagonal + M5 & 1/4" threads



STAINLESS SUPER CLAMP 035X Not illustrated

Identical to the 035 with a weather resistant solution, provided with a stainless steel threaded shaft locking screw.



DOUBLE SUPER CLAMP 038

Set of two Super Clamps fastened together at fixed right angle to provide extra strength support for tubes or bars.



0.83kg



ADAPTER SPIGOT 013

Universal 16mm spigot with double male thread 1/4" and 3/8".



0.07kg



SHORT 16MM SPIGOT WITH 1/4" + 3/8" SCREW 118

Universal short 16mm spigot with double male thread 1/4" and 3/8".



0.04kg



ADAPTER SPIGOT 1/4" + 3/8" FEMALE THREADS 119

Universal short 16mm spigot with double female thread 1/4" and 3/8".



0.032kg



LIGHTING STUD 3/8" 036-38

Plugs into Super Clamp 035 for lighting fixtures or connecting 2 Super Clamps 035 allowing them to rotate. 16mm stud with 3/8" male threads.



0.07kg



LIGHTING STUD 1/4" 036-14

Same as 036-38 with 1/4" male threads.



0.07kg



LIGHTING STUD 036I

Special lighting fixture spigot.



0.038kg



CAMERA STUD 037

Plugs into Super Clamp 035 socket. To mount cameras, directly or with a camera head. 3/8" and 1/4" threads.



0.04kg



JOINING STUD 061

Connects 2 Super Clamp 035 with 6 step rotation.



0.025kg



JOINING STUD RA 061RA

Connects 2 Super Clamps 035 at right angles or 45° steps.



0.025kg



DOUBLE FEMALE THREAD STUD 066

Plugs into Super Clamp 035 to provide either a 3/8" or 1/4" female thread fixing.



0.025kg



ROUNDED 16MM LIGHTING STUD M10 264

Rounded stud for stirrup's fixture for a rapid connection to a Super Clamp.



0.072kg



HEXAGONAL 16MM LIGHTING STUD M10 174

Hexagonal Lighting stud for stirrup's fixture for a rapid connection to a Super Clamp.



0.062kg



STUD FOR STIRRUP 066BT

16mm stud with female thread M10. It has been specifically designed to mount it on a stirrup's fixture and easily connect it to a Super Clamp. Designed to be tightly lock with a wrench.



0.048kg



EXTENSION BAR 133 B

Used to fix 2 Super Clamps 035 at a distance of 15cm from each other. Length 16.5cm.



0.1kg



LIGHTING STUD MR 036MR

Plugs into Super Clamp 035 for lighting fixtures, Grip Heads or connect 2 Super Clamps 035 with 360° rotating capability.



0.048kg



SHORT SPIGOT ADAPTER 1/4"-3/8" 147

Short spigot adapter 1/4" - 3/8".



0.05kg



SHORT SPIGOT ADAPTER 3/8"-3/8" 125

Short spigot adapter 3/8" - 3/8".



0.05kg



NARROW "U" HOOKS 040

Set of two narrow "U" cross bar holders. Plugs into Super Clamp 035. Width: 15mm.



0.44kg



"U" HOOKS 039

Set of two cross bar holders. Width: 40mm



0.16kg



MINI "U" HOOKS 176

Set of two Mini "U" Hooks.



0.1kg



"L" BRACKETS 041

Set of two brackets to use in combination with Super Clamp 035 to support shelves, etc. 17cm long x 4cm deep.



0.29kg



MINI "L" BRACKETS 204

Set of two small brackets. Sizes: 12x3x3cm.



0.13kg



EXTENSION ARM 042

Plugs into Super Clamp 035 socket. Length: 19.5cm.



0.21kg



8kg



Type 1
+ Spigot Art. 013



MINI EXTENSION ARM 203

Fits into Mini Clamp 171 socket. Length: 12cm.



0.15kg



5kg



12.5mm hole



SUPER CLAMP WEDGES 035WDG

To allow the Super Clamp 035 to fit on plane surfaces. Set of four.



1.4kg

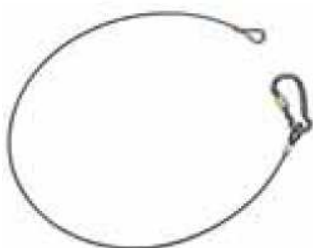


ADDITIONAL SOCKET 335AS

Provides an additional 16mm socket to Super Clamp 035.



0.14kg



SAFETY CABLE C155

Diameter 4mm. Length 100cm.

SAFETY CABLE C155-01 *Not illustrated*

Diameter 3.5mm. Length 70cm.

SAFETY CABLE C155-02 *Not illustrated*

Diameter 5mm. Length 70cm.

SAFETY CABLE C155-03 *Not illustrated*

Diameter 6mm. Length 100cm.



POLE FOR BACKLITE STAND

2 section (Ø 22, 19mm) aluminium pole.
Minimum height: 47cm.
Maximum height: 74.5cm.



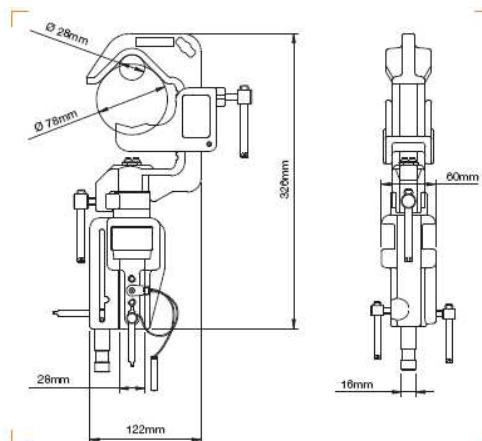
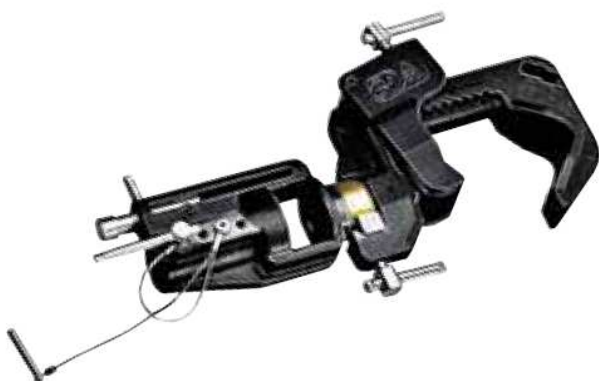
0.34kg



Top type 18

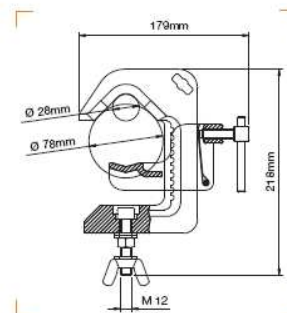


Bottom type 19



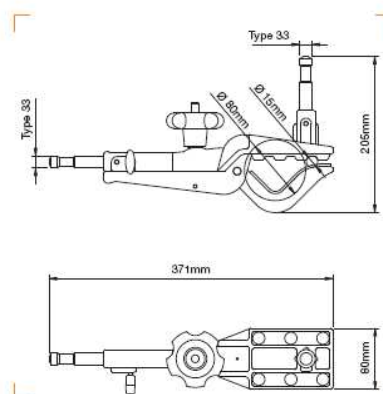
SWIVELLING "C" CLAMP C150

Works on diameters from 28mm to 78mm.
* 10kg on 16mm attachment. 75kg on 28mm attachment.



SWIVELLING "C" CLAMP WITH M12 SCREW C151

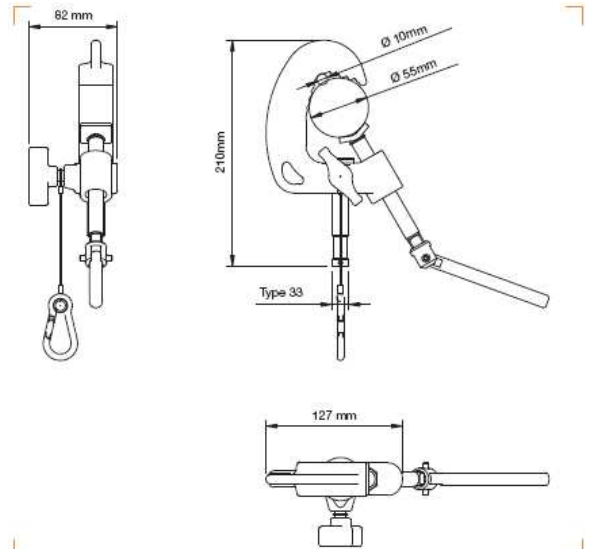
Works on diameters from 28mm to 78mm.



PELICAN GAFFER GRIP C500

Works on diameters from 15mm to 80mm.





BABY PIPE CLAMP WITH 16MM STUD C210

Works on diameters from 10mm to 55mm.



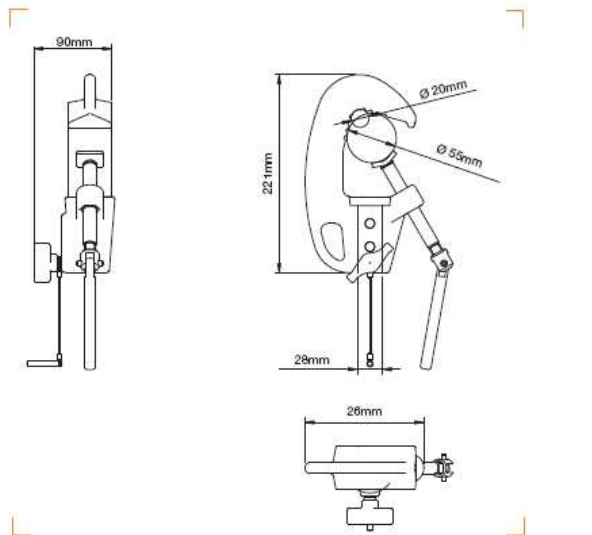
0.62kg



100kg



Type 33



JUNIOR PIPE CLAMP WITH 28MM SOCKET C100

Works on diameters from 20mm to 55mm.



1.13kg

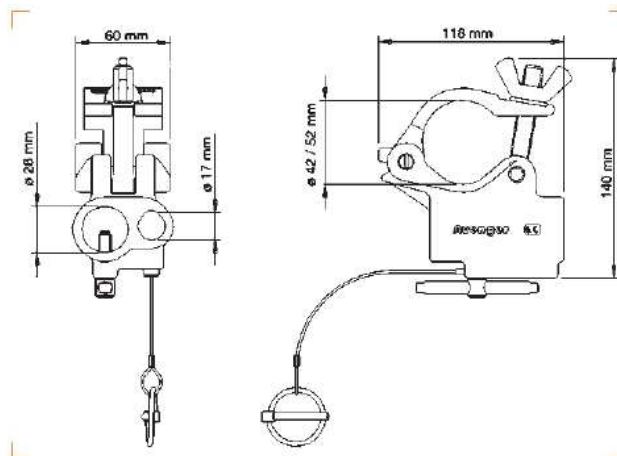


250kg



28mm





BARREL CLAMP C350N

Works on diameters from 42mm to 52mm.
* 100kg on 16mm attachment. 300kg on 28mm attachment.



0.8kg



100/300kg*



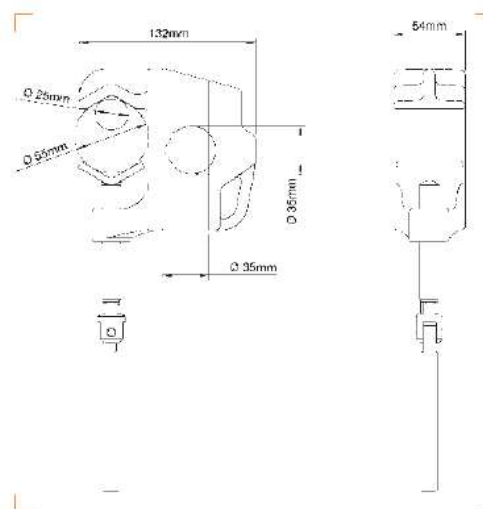
17mm/28mm



BARREL CLAMP WITH KNOB C350NK

Not illustrated

Same as C350N but with knob.



GRID CLAMP C300

Works on diameters from 25mm to 55mm.
* 50kg on vertical position. 30kg on horizontal position.



1.1kg



50/30kg*

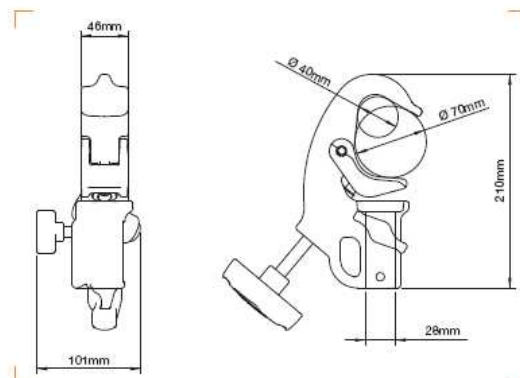


35mm



GC





28MM BUSHING QUICK ACTION JUNIOR CLAMP C337

Made in gravity cast aluminium, this clamp is ideal to hang all types of luminaries in TV studios and theaters. Its incredible "coupling range" sets almost no limitations to its capability to clamp to almost all the industry standard pipe diameters. To meet all safety requirements, we have designed a dedicated slot for flexible steel safety cables. Supplied with T-top padded handle to improve grip. Pipe size 40-70mm. PAT. PENDING.



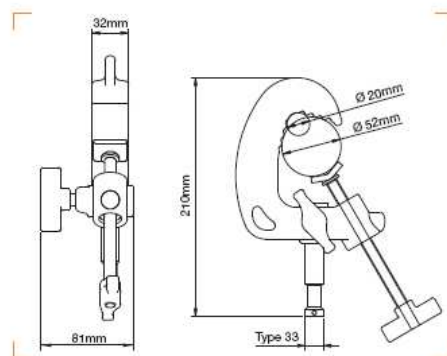
1.27kg



100kg



28mm



16MM PIN QUICK ACTION BABY CLAMP C338

Very slim and lightweight, this version has been designed for small luminaries, virtually unlimited in application. To meet all safety requirements, we have designed a dedicated slot for flexible steel safety cables. Pipe size 20-52mm. PAT. PENDING.



0.76kg



50kg



Type 33

EYE COUPLER family: safer, easier to use and lighter, with the reliability and high performance that you expect from Manfrotto. EYE COUPLER range has been developed with professional users' needs in mind. Improved safety, full TÜV certification, optimised ergonomics and unique design are the key features of EYE COUPLERS, developed for professionals in the entertainment industry.

The complete EYE COUPLER range is made up of LP EYE COUPLERS: industry standard clamp range from 48 to 52mm.

MP EYE COUPLERS: wider clamp range from 42 to 52mm and special flattened shape of lower jaw.

MP SLIM EYE COUPLERS: same features as MP coupler, but narrower in profile and lighter in weight.



LP EYE COUPLER C460

The base model of LP Eye Coupler for any customised application.



0.36kg



500kg*



13mm hole



LP EYE COUPLER WITH 28MM TV SPIGOT C461

Supplied with 28mm spigot for TV/broadcast luminaires.



0.57kg



500kg



Type 35



LP EYE COUPLER WITH 16MM SPIGOT C462

Designed with 16mm spigot suitable for lightweight luminaires.



0.41kg



500kg



Type 33



LP EYE COUPLER WITH LIFTING RING C463

Provided with lifting ring for multipurpose use with chains, wires and ropes.



0.55kg



300kg



Ring





LP EYE COUPLER WITH M12 BOLT PLUS NUT C464

Supplied with M12 bolt and nut for custom solutions.



LP EYE COUPLER WITH 28MM BUSHING C465

Designed with 28mm bushing suitable for 2K+stirrup luminaires.



PARALLEL LP EYE COUPLER C480

Twin couplers fixed parallel for firm, quick and easy interconnection for truss, bars or pipes.



90° FIXED LP EYE COUPLER C481

Twin couplers fixed at 90° for firm, quick and easy interconnection for truss, bars or pipes.



SWIVEL LP EYE COUPLER C482

Twin couplers free to rotate 360° for firm, quick and easy interconnection for truss, bars or pipes.



CONNECTION KIT FOR LP EYE COUPLER C466

Kit to connect two C460 clamps.



MP EYE COUPLER C4460

The base model of MP Eye Coupler for any customised application.



0.39kg



500kg



13mm hole



MP EYE COUPLER WITH 28MM TV SPIGOT C4461

Supplied with 28mm spigot for TV/broadcast luminaires.



0.60kg



500kg



Type 35



MP EYE COUPLER WITH 16MM SPIGOT C4462

Designed with 16mm spigot suitable for lightweight luminaires.



0.44kg



500kg



Type 33



MP EYE COUPLER WITH LIFTING RING C4463

Provided with lifting ring for multipurpose use with chains, wires and ropes.



0.58kg



300kg



Ring



MP EYE COUPLER WITH M12 BOLT PLUS NUT C4464

Supplied with M12 bolt and nut for custom solutions.



0.43kg



500kg



M12x27



MP EYE COUPLER WITH 28MM BUSHING C4465

Designed with 28mm bushing suitable for 2K+ stirrup luminaires.



0.87kg



300kg



28mm





MP EYE COUPLER WITH 16MM BUSHING C4469

Supplied with 16mm spigot for light fixing accessories.



0.52kg 500kg 16mm



TILT AND SWIVEL MP EYE COUPLER C4470

Provided with 28mm spigot to enable to rig a bar or a frame structure between two stands with 360° spigot rotation and swivel system.



1.3kg 300kg Type 35



SWIVEL MP EYE COUPLER C4482

Twin couplers free to rotate 360° for firm, quick and easy coupling of trusses, bars or pipes.



0.81kg



MP EYE COUPLER SWIVEL AND TILT TRUSS SUPPORT 150-250 C4485

Min. lenght - 150mm. Max. lenght - 250mm. Truss Support Coupler with a tilt/swivel connection to the stand pin. It avoids torsion and mounting problems when lifting a truss using two stands simultaneously.



2.78kg Type 35

MP EYE COUPLER SWIVEL AND TILT TRUSS SUPPORT 200-400 C4486 Not illustrated

Min. lenght - 200mm. Max. lenght - 400mm.



2.85kg Type 35



SLIM MP EYE COUPLER C4560

The base model of MP slimlight version eye coupler.



0.26kg 300kg 13mm hole



MP EYE COUPLER WITH 12MM BOLT + NUT C4564

Supplied with M12 bolt and nut for custom solutions.

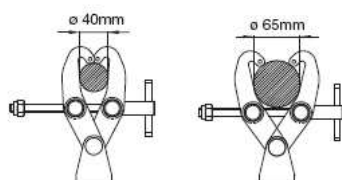


0.3kg 300kg M12x27mm

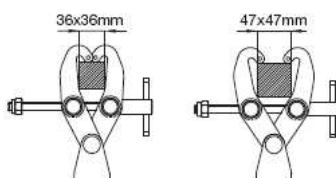


The Grab Clamp is flexible and fast to use thanks to its pincer jaw design and rapid locking and release mechanism. It can be fixed to a wider range of supports than traditional clamps and is suitable for use in TV, video and photographic studios, theatres and rigging structures. The Grab Clamp will hold all kinds of lights, scenery, monitors and much more besides.

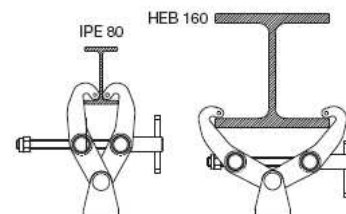
The Grab Clamp has been designed to be mounted on a wide range of beams, pipes and bars, whether round, square or rectangular in section. It needs no adapter - just open and clamp it.



Clamp Range
40mm to 65mm



Clamp Range
36mm to 47mm



Clamp Range
IPE 80 to IPE 160
HEB 80 to HEB 160



GRAB CLAMP C339

Supplied without attachment, but with a 12.5mm hole for custom fixings.



1.2kg



150kg



12.5mm hole



GRAB CLAMP WITH 28MM TV SPIGOT C339JS

Supplied with 28mm spigot.



1.4kg



150kg



Type 35



GRAB CLAMP WITH 16MM BUSHING **C339BB**

Comes with 16mm bushing complete with push button for extra-safe attachment.



1.35kg



50kg



16mm



GRAB CLAMP WITH LIFTING EYE **C339LE**

Complete with standard lifting eye for chain or rope fixture.



1.4kg



150kg



Ring



GRAB CLAMP WITH UNIVERSAL HEAD **C339UH**

Provided with a universal fixed (non-rotating) head.



1.95kg



75kg



28mm



16mm



GRAB CLAMP WITH SPINNING PULLEY **C339SP**

Fitted with a 100mm diameter pulley to offer a quick and robust hanging point for TV and theatre sceneries.



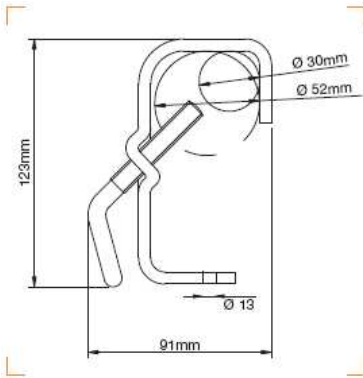
1.65kg



150kg



Pulley



STAGE CLAMP C280

The base model of MP Eye Coupler slimlight version.



0.37kg



50kg



13mm hole



STAGE CLAMP WITH 16MM STUD C285

Supplied with 16mm stud.



0.47kg



50kg



Type 33



STAGE CLAMP WITH 28MM STUD C290

Supplied with 28mm stud.



0.9kg



50kg



Type 33



STAGE CLAMP WITH 28MM SOCKET C295

Supplied with 28mm stud.



0.75kg



50kg



28mm

A convenient method of suspending luminaires from above for unobstructed floor areas. Telescopic hangers are renowned for their strength and versatility. Available with either a stirrup or universal head, all hangers come with a safety pin to prevent the riser from slipping.

LONG TELESCOPIC HANGER WITH UNIVERSAL HEAD **C827** Not illustrated

Max load with 16mm spigot 10kg. Max load with 28mm socket 40kg.



212cm 381cm 6.8kg Type 34

TELESCOPIC HANGER WITH UNIVERSAL HEAD **C825**

Max load with 16mm spigot 10kg. Max load with 28mm socket 40kg.



121cm 201cm 5.1kg Type 34

LONG TELESCOPIC HANGER WITH STIRRUP **C822** Not illustrated

Luminaire attachment - Stirrup Ø 40mm.



210cm 379cm 6.8kg 40kg

TELESCOPIC HANGER WITH STIRRUP **C820**

Luminaire attachment - Stirrup Ø 40mm.



117cm 197cm 5.4kg 40kg

TELESCOPIC HANGER WITH STIRRUP **C888ST**

Luminaire attachment - Stirrup Ø 40mm.



73cm 157cm 4.7kg 40kg

TELESCOPIC HANGER WITH UNIVERSAL HEAD **C888UH**

Max load with 16mm spigot 10kg. Max load with 28mm socket 40kg.



78cm 161cm 4.6kg Type 34



PUMP CUP WITH 16MM SOCKET **241S**

A suction cup with a fixed 16mm socket incorporating a safety pin for added security.



1.2kg 2kg 16mm



PUMP CUP WITH 16MM SWIVEL SOCKET **241**

Suction cup for small fixtures and lightweight equipment. Ø: 150mm. 16mm bushing with safety pin.



1.2kg 2kg 16mm